

# FCU=Link

one solution...  
for many problems



small..  
BUT UNIQUE

No need for 100 cm, if you have  
only 20 cm beside the FCU. . .

**FCU-Link** can be easily installed  
and maintained through 20X20 cm  
access hatch.

If not innovative . . . . It's not ATS

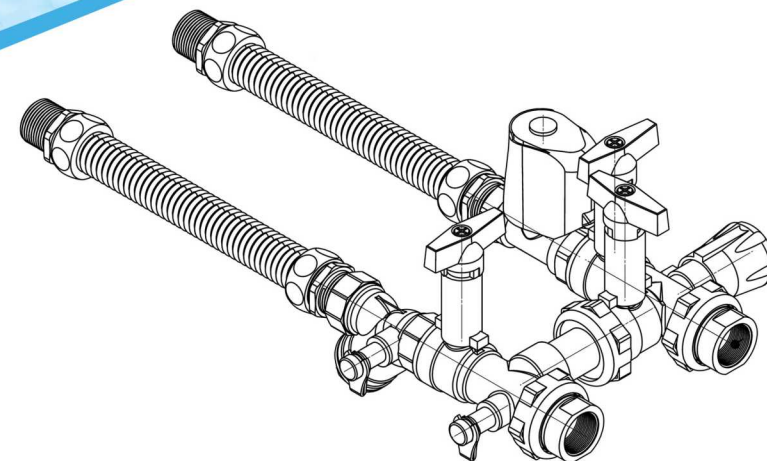


**ATS** | Advanced Technical Solutions, GmbH  
Lindencorso, Unter den Linden 21  
10117 Berlin, Germany  
Telefax: +49(0)30 2092 4200  
[www.ats-corporate.de](http://www.ats-corporate.de)



# FCU=Link

one solution...  
for many problems



**FCU-link** is factory assembled and factory pressure tested hookup valves that intelligently connect the FCU to the piping network.

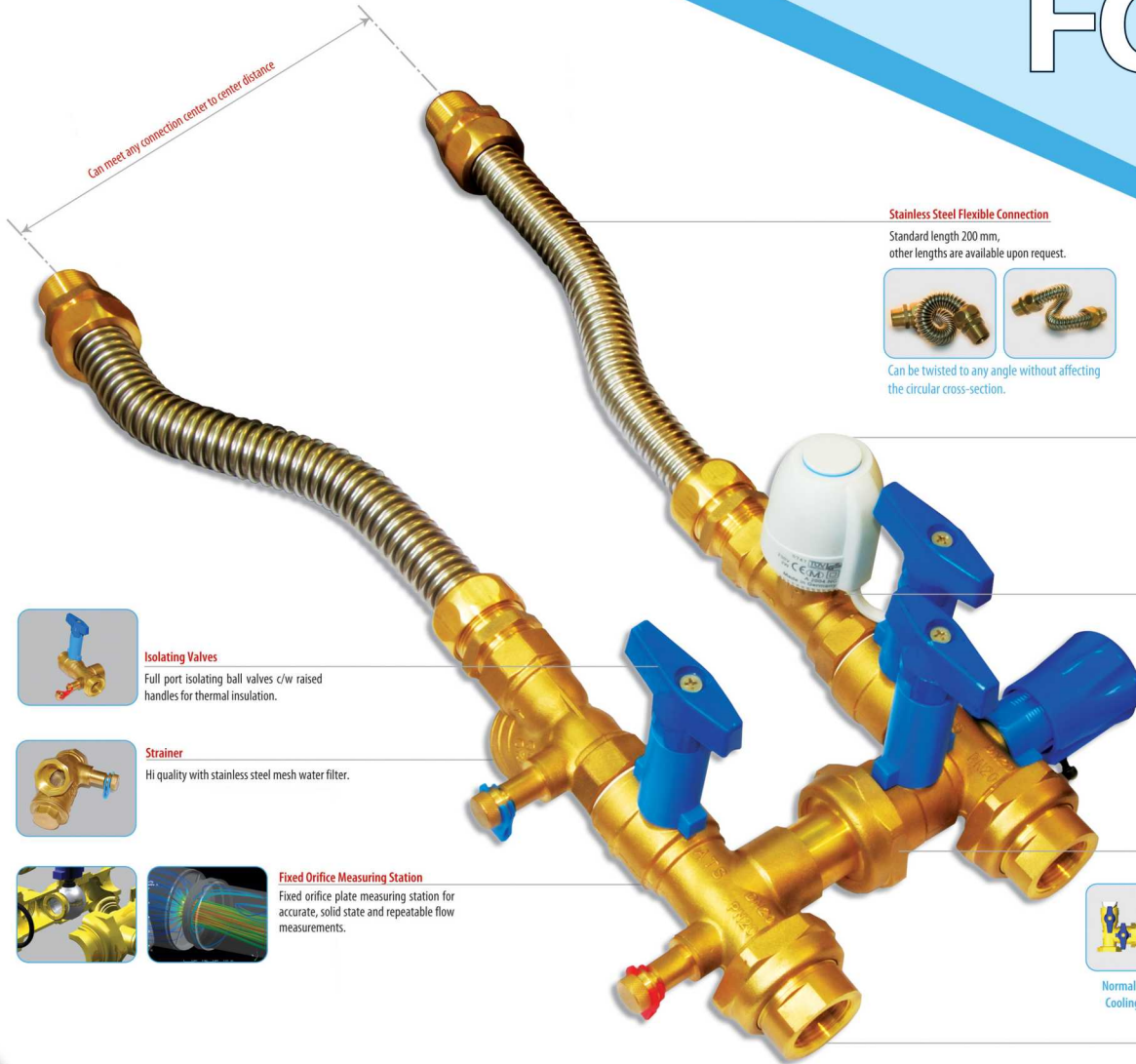
The **FCU-link** is entirely new concept for connecting the fan coil unit into the chilled water/hot water piping network. Innovation, modern technology and effectiveness distinguish the new design.

If not innovative...  
It's not ATS



# FCU-Link

one solution...  
for many problems



Can meet any connection center to center distance

#### Stainless Steel Flexible Connection

Standard length 200 mm, other lengths are available upon request.



Can be twisted to any angle without affecting the circular cross-section.

#### Control Valve Thermal Actuator

Available in:  
- ON/OFF 24V - ON/OFF 240V - Proportional 0~10V



#### Two Way Control Valve

Two way control valve with optimum valve authority.



100% water protection



No tools for installation

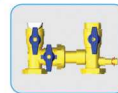
#### Regulating Flow Valve

For independent regulation and water balancing.



#### Bypass

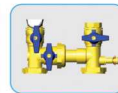
Built-in Bypass c/w full port isolating valve for effective coil and circuit flushing and cleaning.



Normal Operation  
Cooling/Heating



Bypass Flushing  
Circuit Cleaning



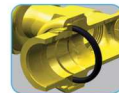
Back Flushing  
Coil Cleaning



Forward Flushing  
Strainer Cleaning

#### Unions

7 numbers unions for easy assembling and dismantling.



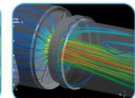
#### Isolating Valves

Full port isolating ball valves c/w raised handles for thermal insulation.



#### Strainer

Hi quality with stainless steel mesh water filter.



#### Fixed Orifice Measuring Station

Fixed orifice plate measuring station for accurate, solid state and repeatable flow measurements.

**For..**  
Air Conditioning Construction/Installation Contractors

**Who..**  
Need to achieve high quality and construct their project very fast, in a very competitive and expensive labor market to win their customers satisfaction and to catch more opportunities.

**FCU-Link**  
Is leading-edge product and a new generation of ordinary valves set that promising superior quality and performance.

**That..**  
Enables even unskilled labor to hookup the FCU to piping network without sophisticated tools or assistants in less than 15% the planned time with no leakage or improper installation possibility.

**Unlike all the others**  
Our Product is factory-assembled, factory-pressure tested, with flushing bypass, unions and flexible connections.

**To..**  
Quickly, properly and reliably hookup the FCU to the piping network.

**FCU-link is entirely new concept for connecting the fan coil unit into chilled water / hot water piping network. It has the following benefits:**

- Factory Assembled set of valves and accessories leaves no chance for site installation mistakes.
- Factory pressure tested unit leaves no chance for possible leakage.
- Smooth internal surface makes it frictionless set of valves.
- Valves' raised handles for insulation purposes.
- Helical stainless steel flexible connection meets any FCU center to center pipe distance, and has null pressure drop at any twisting angle.
- Fixed orifice single Kv value flow measuring station with high accuracy cut the time required for water balancing and provide solid state repeatable measurements.
- PN 20 for heating application.
- Unions with O-ring technology can be tightened by hands for easy assembling.
- Very Compact 180 mm ONLY.
- One set can cover wide range of flow rates for easy selection (0.03 ~ 0.8 l/s) (0.5 ~ 13 gpm).
- Special DZR alloy.
- Actuator is supplied in separate box packing to avoid damage during installation.
- Three Year Warranty.

and more...